

**Ref: 1004.10502 ISTRUZIONI DI MONTAGGIO - MOUNTING INSTRUCTIONS**

Adattabile a – Suitable to : COS. DA XF 105 Super Space Cab

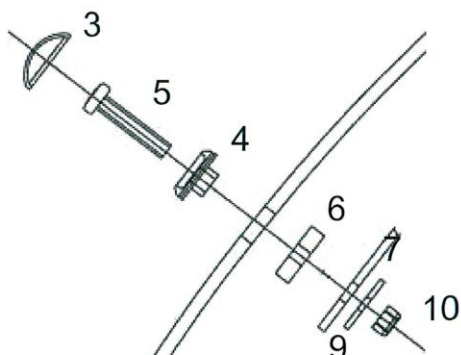
**XF105 Super Space Cab  
Mounting instructions**

1. Acrylic part	1 pc	2. Center bracket	1 pc
3. Cover hat	12 pcs	4. Cover collar	12 pcs
5. Screw M6x30mm	6 pcs	6. Rubber washer 6mm	12 pcs
7. Rubber washer 3mm	6 pcs	8. Hex Screw M8x20mm	6 pcs
9. Washer M6x18mm	6 pcs	10. Nylok M6	6 pcs
11. Rivet nut M8	6 pcs	12. Rubber gasket	6 pcs
13. Center bracket	1 pair	14. Molded side bracket	1 pair
15. Washer M8x17mm	6 pcs	16. Self tapping screw	4 pcs
17. Screw M6x40mm	2 pcs	18. Rubber well nut M6	2 pcs

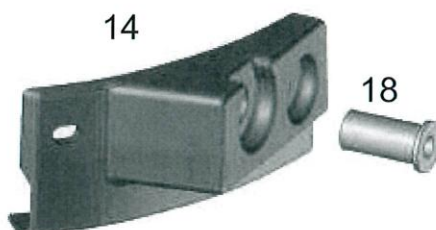


Mount the center brackets on the acrylic part as shown on the drawing:

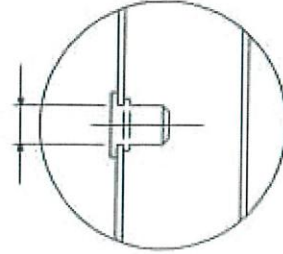
Place the rubber well nut on the middle hole of the molded side bracket.



Mount the side brackets with M6x40mm screw use the 6mm rubber washers between side bracket and the acrylic part.



Place the visor on the vehicles roof and mark the hole positions. Drill the holes with 4,50mm bit. Now drill the holes for the center brackets for rivet nuts to size of 11,0mm with a step drill tool. Please note that the hole must be tight for rivet nut.

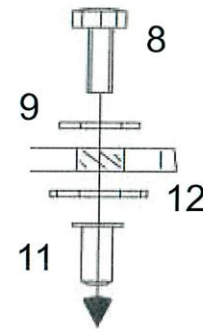


But Sikaflex on the holes and mount the rivet nuts as shown on the drawing.

Remove the visor brackets from the acrylic part.

Mount the visor brackets on the roof as shown on the drawing.

Mount the molded sidebrackets on the roof with self tapping screws.



But Sikaflex on the topside of the acrylicpart which touches the cabin. Mount the acrylicpart on the brackets and tighten all screws.